

STANDARD MODELS

Television Set
Wall Box & Mounting Screws
Waterproof Remote Control
Power Supply
IR Repeater
Suction Cup Tool
Manual

SPECIFICATIONS

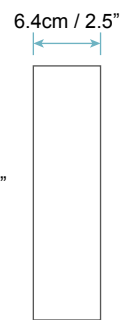
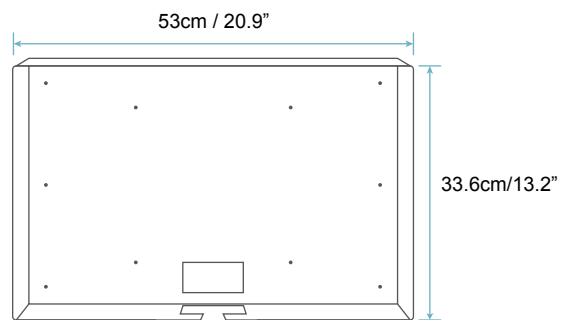
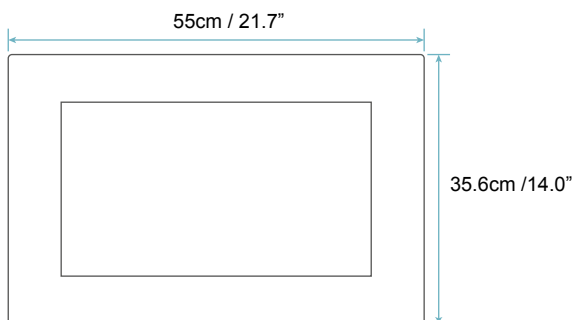
IP Rating	IP65
Internal Vibration Speaker	3 Watts, 8 Ohm
TV Tuner	DVB-T2/C/S2 with CI Slot
Net Weight	10.5KG
Energy Efficiency	A
Passive Ventilation	Yes
VESA Mount Compatible	20 x 20cm / 7.9" x 7.9"

DISPLAY

Screen Size	18.5"
Operating Voltage	12 Volt DC
Resolution	HD Ready
Aspect Ratio	16:9
TV Display	LED

DIMENSIONS

TV Width	55cm / 21.7"
TV Height	35.6cm / 14.0"
Wall Box Width	53cm / 20.9"
Wall Box Height	33.6cm / 13.2"
Wall Box Depth	6.4cm / 2.5"



© Mues-Tec 2020. All rights reserved.

📍 Mues-Tec GmbH & Co. KG, Hauptstrasse 16, 36137 Grossenlueder, Germany

Ver.LU.01.23.2020